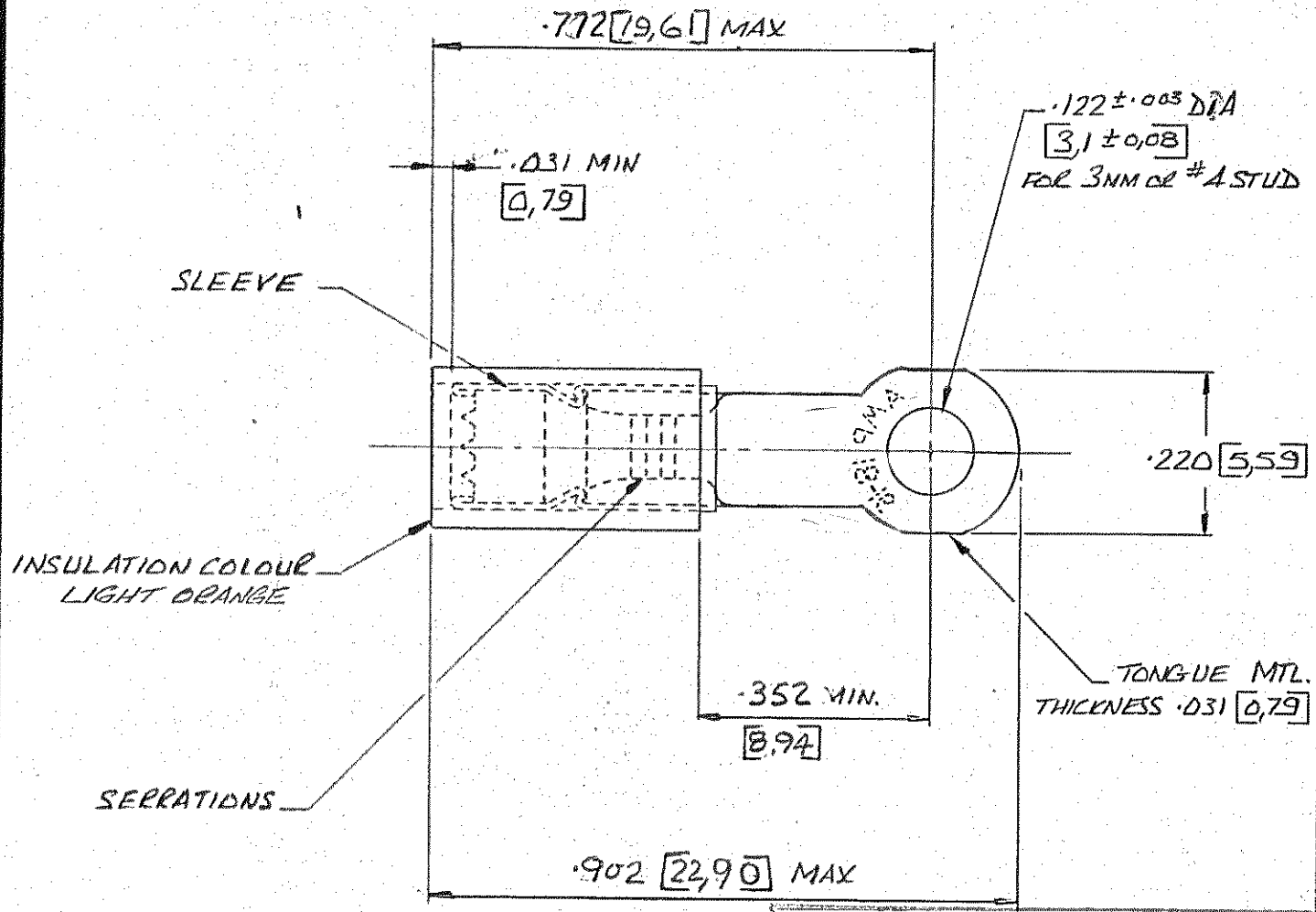


NUMBER
C153475

3rd ANGLE (AMERICAN) PROJECTION

DIMENSIONS IN INCHES. DO NOT SCALE PRINT
DIMENSIONS THUS [] IN MM.



ENGINEERING
OFFICE
MASTER

FOR .035-.105 [1,40-2,67] WIRE INS. DIA.

				© AMP of GREAT BRITAIN LTD 1971		CUSTOMER COPY REFERENCE ONLY			
D. EB 00-0469-93				05/01/94		AMP of Great Britain Ltd TERMINAL HOUSE, STANMORE, MIDDX.			
C. 1900, 772, 352, 0.35/115, 0.36, 1030/120				27/1/77					
B. PICTORIAL CHANGE ONLY				AWYC		CLASS RING TONGUE			
A. LIGHT ORANGE WAS ORANGE				DP		TYPE P.I.D.G. STRATOTHERM			
LTR	REVISION RECORD	DR	CHK	DATE	TOLERANCE EXCEPT AS NOTED ± .015 [0,38] ± 1° 0'	SCALE N.T.S.	LOC E	NO A	REV D
DR P.C. ABBOTT 28.9.71				DE		C 153475			
CHK D. JONES 1.10.71				APP. [Signature] 1/10/71		NAME WIRE TERMINAL ASSY.			

PRINT DIST.